

CATALOGUE **PRODUCT**
VOLUME 1



LUXURY ARTISAN STONE BATHWARE



 Westerkerkweg 58B
1606BE Venhuizen



+31-6300-744-66



info@mandika.nl



@mandika.nl

THE CREATOR OF HOLISTIC EXPERIENCES

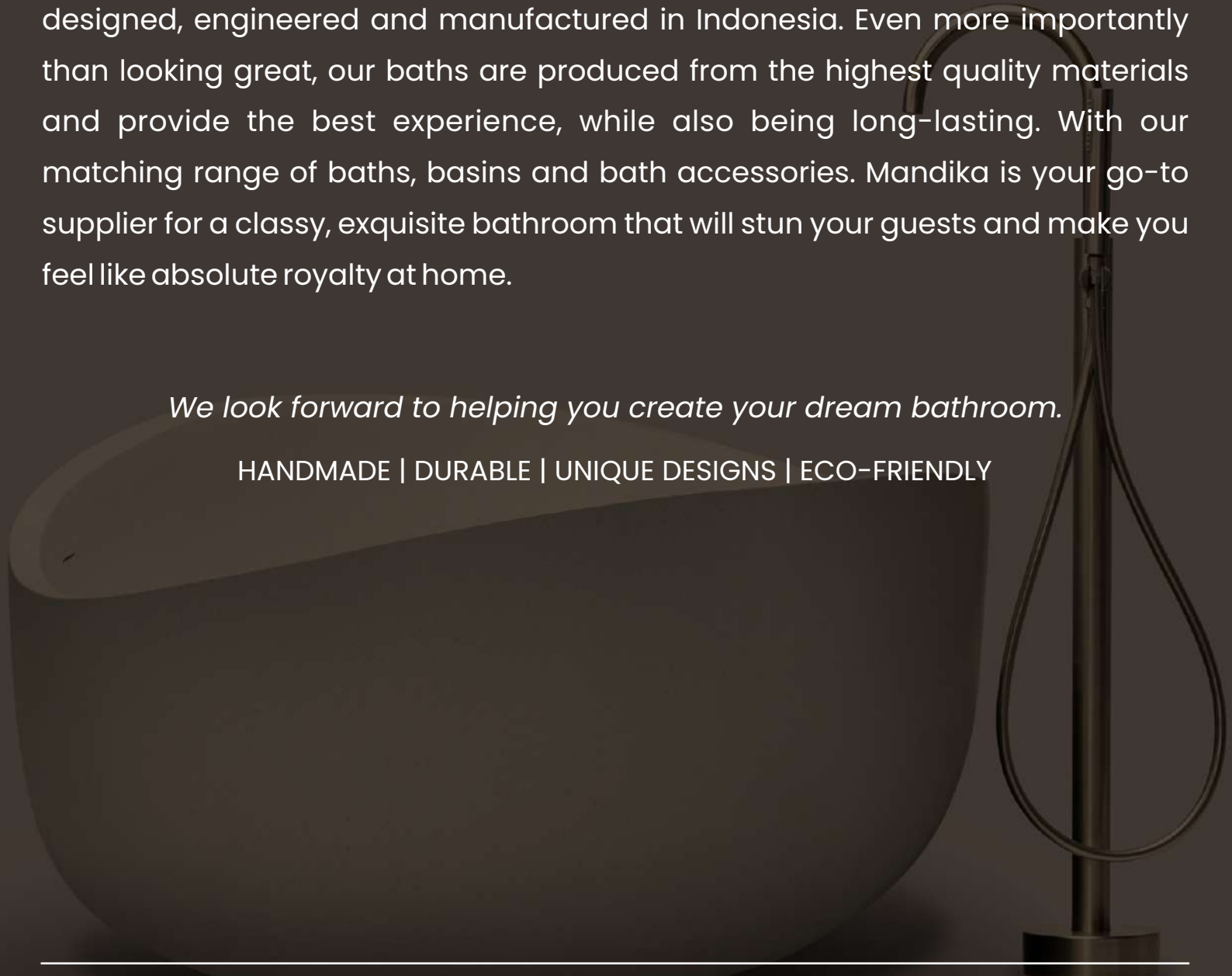
Mandika designs more than just luxurious bathware products. Rather, we work with valuable natural resources to transform imagination into reality through detailed design, dedicated craftsmanship, prominent heritage, and superior service.

We are specialized in handmade stone composite bathwares, to provide your comfort and luxuries.

Minimal in machinery more on handcrafting. Each of our products are stunningly designed, engineered and manufactured in Indonesia. Even more importantly than looking great, our baths are produced from the highest quality materials and provide the best experience, while also being long-lasting. With our matching range of baths, basins and bath accessories. Mandika is your go-to supplier for a classy, exquisite bathroom that will stun your guests and make you feel like absolute royalty at home.

We look forward to helping you create your dream bathroom.

HANDMADE | DURABLE | UNIQUE DESIGNS | ECO-FRIENDLY





OUR PRODUCTS

STONE BATHS



LUXURY ARTISAN STONE BATHWARE

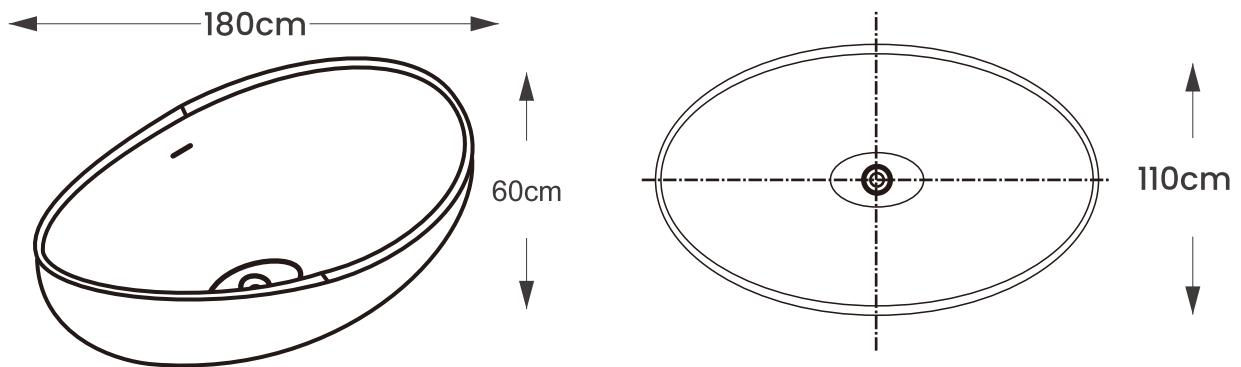
mandika bathware

VICTORIA BATHS



Material : Composite Mineral Stone | **Size :** 180cm x 110cm x 60cm | **Weight :** 150kg
***Overflow by Request**

SPECIFICATION :



Available Colours :



**Due to the handmade nature and the high content of natural stone used in our products, colour and dimensional tolerances apply.*

LUXURY ARTISAN STONE BATHWARE

mandika bathware

LONDON BATHS

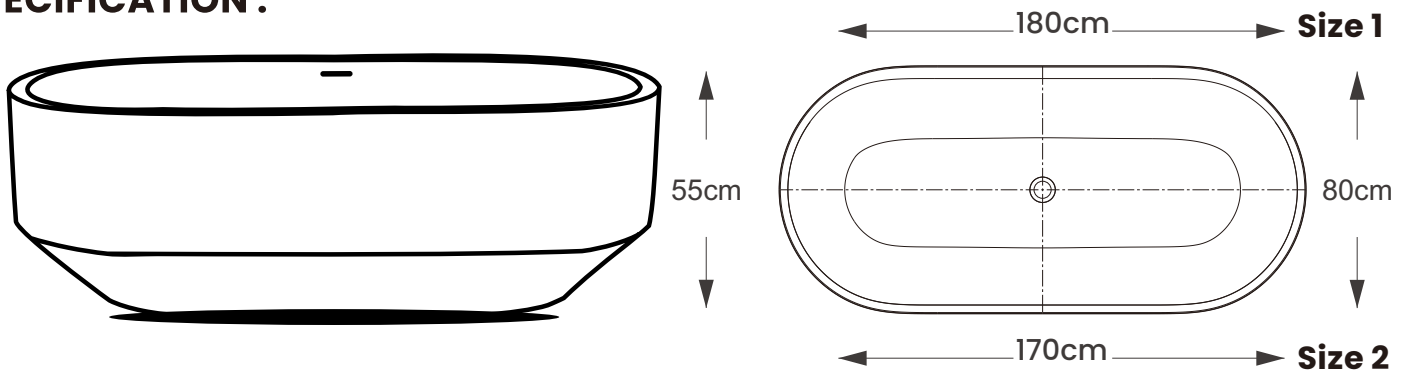


Material : Composite Mineral Stone

Size : 180cm x 80cm x 55cm (Size 1) | 170cm x 80cm x 55cm (Size 2)

Weight : 130kg & 120kg ***Overflow by Request**

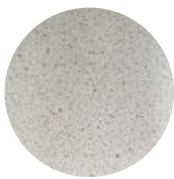
SPECIFICATION :



Available Colours :



WHITE
ONYX



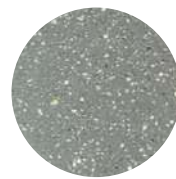
WHITE
NATURAL



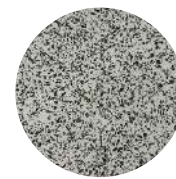
BLACK
ONYX



BLACK
NATURAL



LIGHT
GREY



GREY



DARK
GREY

**Due to the handmade nature and the high content of natural stone used in our products, colour and dimensional tolerances apply.*

LUXURY ARTISAN STONE BATHWARE

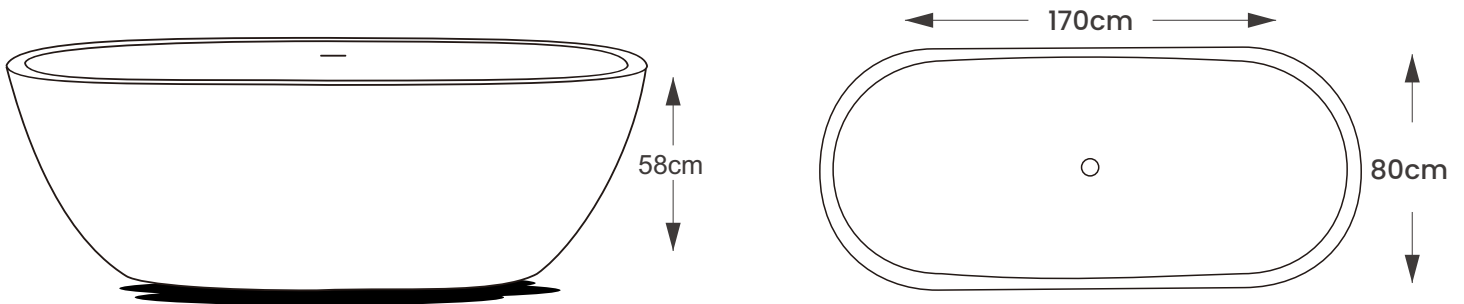
mandika bathware

ROMA BATHS



Material : Composite Mineral Stone | **Size** : 170cm x 80cm x 58cm | **Weight** : 120kg
***Overflow by Request**

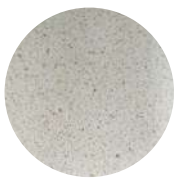
SPECIFICATION :



Available Colours :



WHITE
ONYX



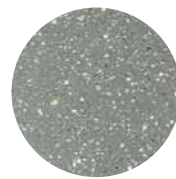
WHITE
NATURAL



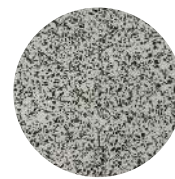
BLACK
ONYX



BLACK
NATURAL



LIGHT
GREY



GREY



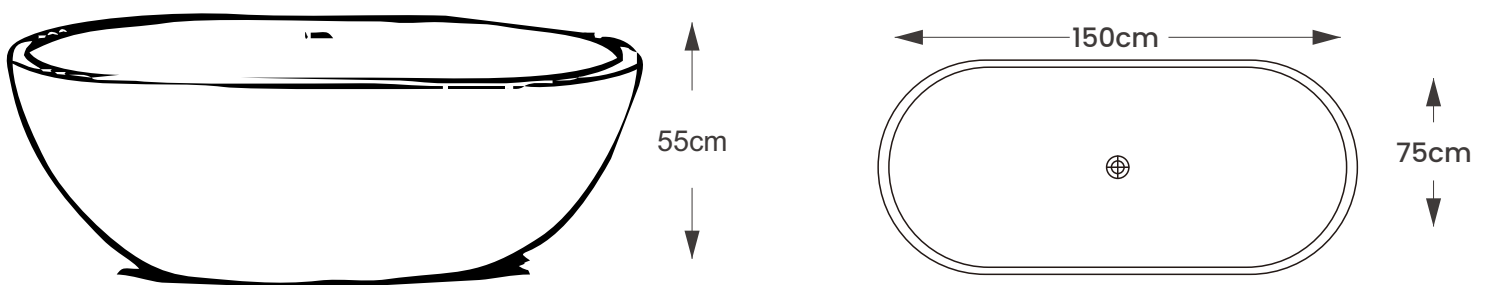
DARK
GREY

**Due to the handmade nature and the high content of natural stone used in our products, colour and dimensional tolerances apply.*



Material : Composite Mineral Stone | **Size** : 150cm x 75cm x 55cm | **Weight** : 100kg
***Overflow by Request**

SPECIFICATION :



Available Colours :



**Due to the handmade nature and the high content of natural stone used in our products, colour and dimensional tolerances apply.*

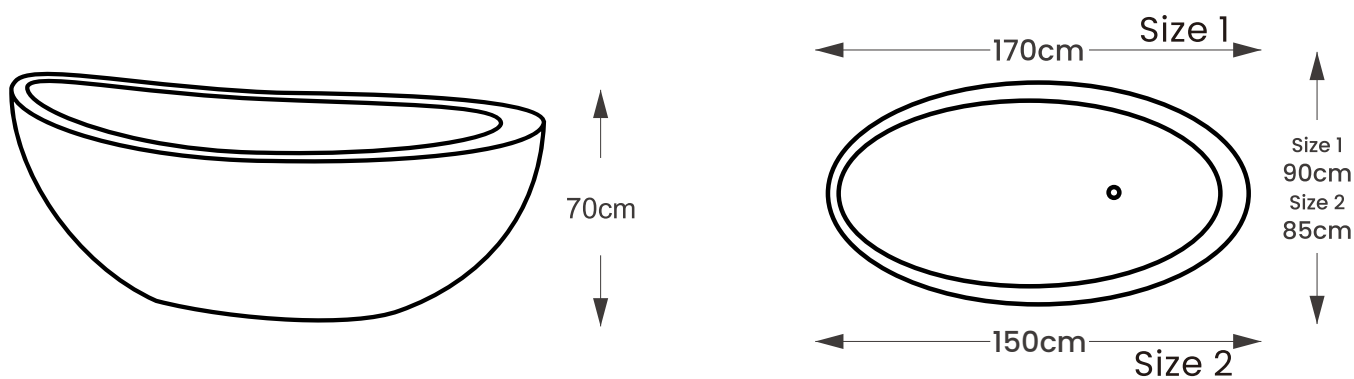


Material : Composite Mineral Stone

Size : 170cm x 90cm x 70cm (Size 1) | 150cm x 85cm x 70cm (Size 2)

Weight : 140kg & 120kg ***Overflow by Request**

SPECIFICATION :



Available Colours :



**Due to the handmade nature and the high content of natural stone used in our products, colour and dimensional tolerances apply.*

LUXURY ARTISAN STONE BATHWARE

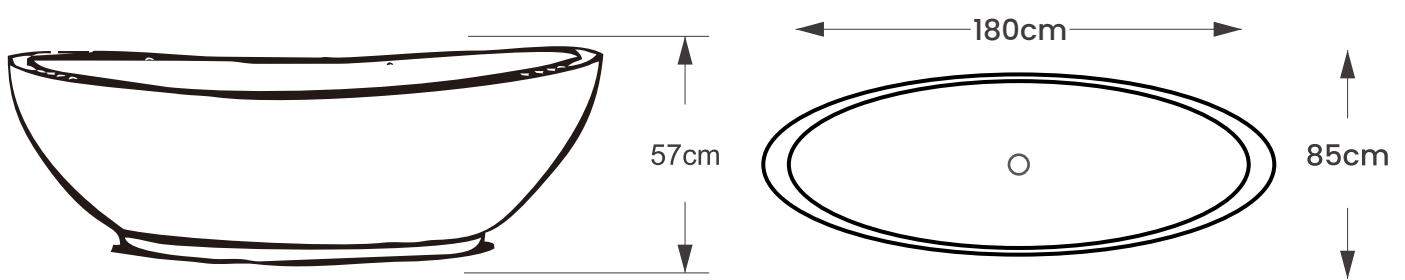
mandika bathware

NEW ZEALAND BATHS



Material : Composite Mineral Stone | **Size** : 180cm x 85cm x 57cm | **Weight** : 130kg
***Overflow by Request**

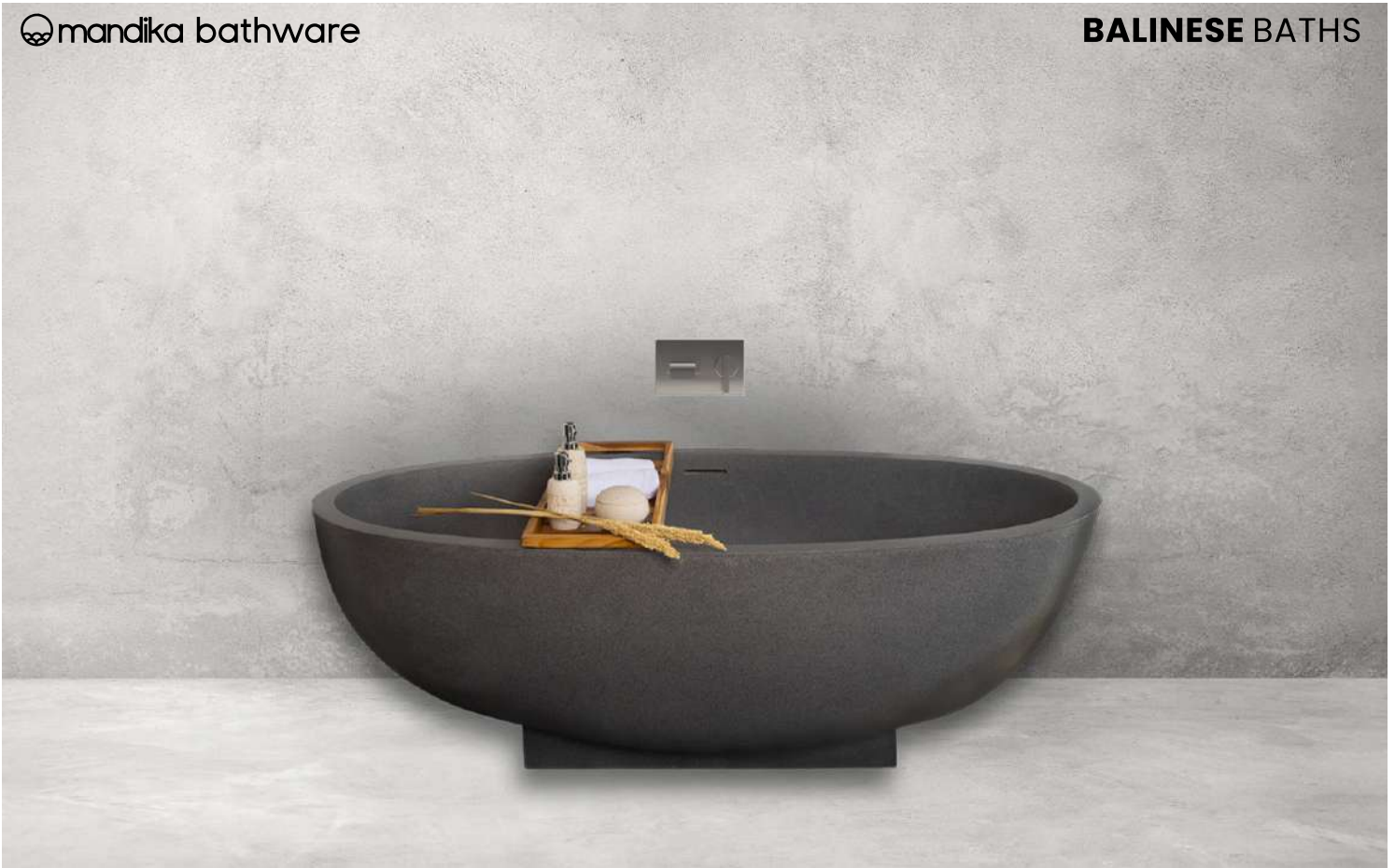
SPECIFICATION :



Available Colours :

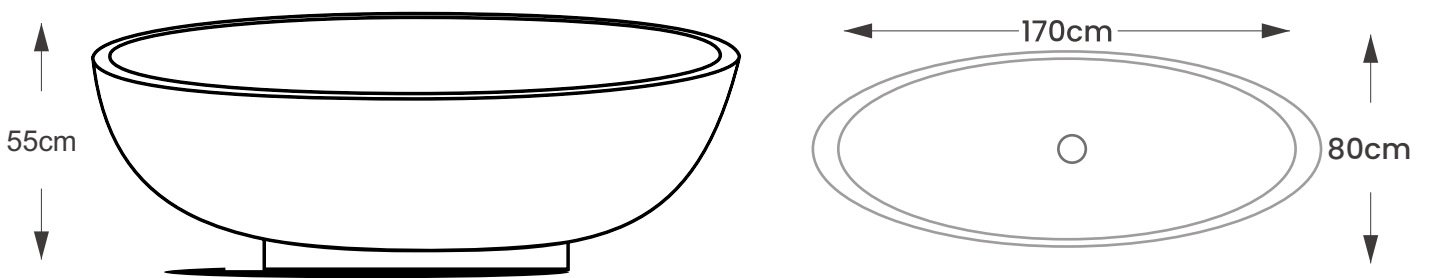


**Due to the handmade nature and the high content of natural stone used in our products, colour and dimensional tolerances apply.*



Material : Composite Mineral Stone | **Size** : 170cm x 80cm x 55cm | **Weight** : 130kg
***Overflow by Request**

SPECIFICATION :



Available Colours :



**Due to the handmade nature and the high content of natural stone used in our products, colour and dimensional tolerances apply.*

LUXURY ARTISAN STONE BATHWARE

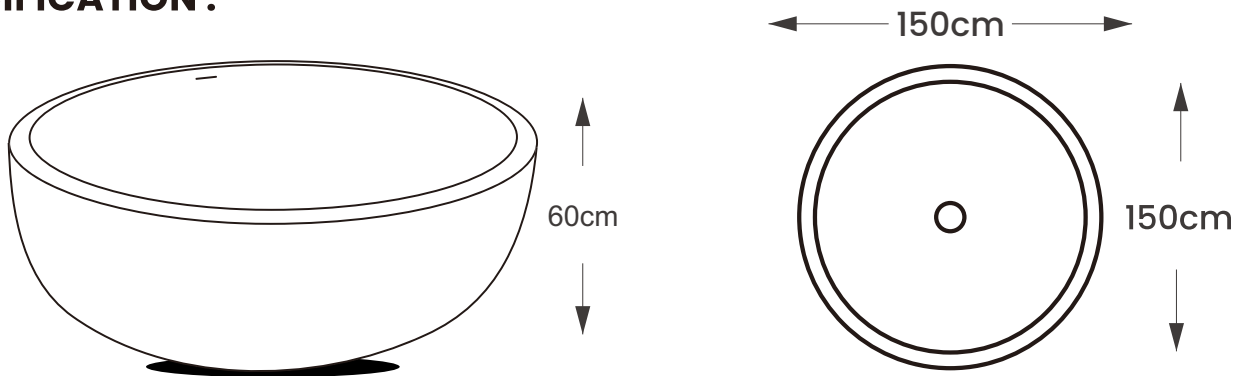
mandika bathware

MEXICO BATHS



Material : Composite Mineral Stone | **Size** : 150cm x 150cm x 60cm | **Weight** : 150kg
***Overflow by Request**

SPECIFICATION :



Available Colours :



**Due to the handmade nature and the high content of natural stone used in our products, colour and dimensional tolerances apply.*

LUXURY ARTISAN STONE BATHWARE

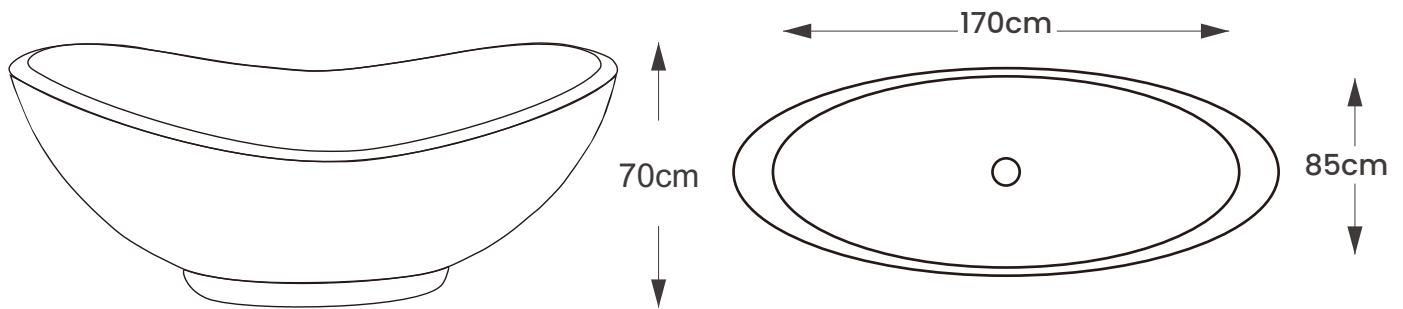
mandika bathware

MALDIVES BATHS



Material : Composite Mineral Stone | **Size** : 170cm x 85cm x 70cm | **Weight** : 120kg
***Overflow by Request**

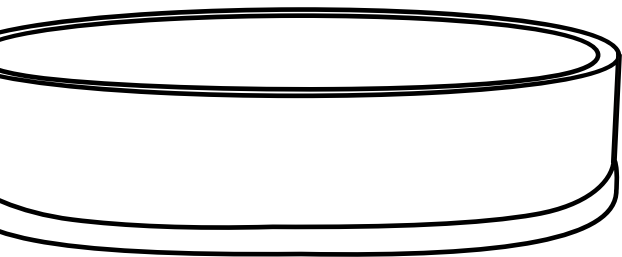
SPECIFICATION :



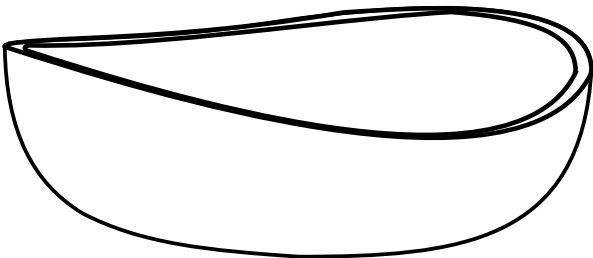
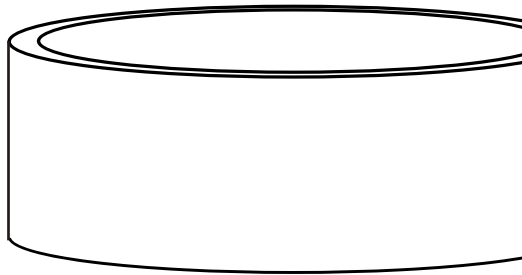
Available Colours :



**Due to the handmade nature and the high content of natural stone used in our products, colour and dimensional tolerances apply.*



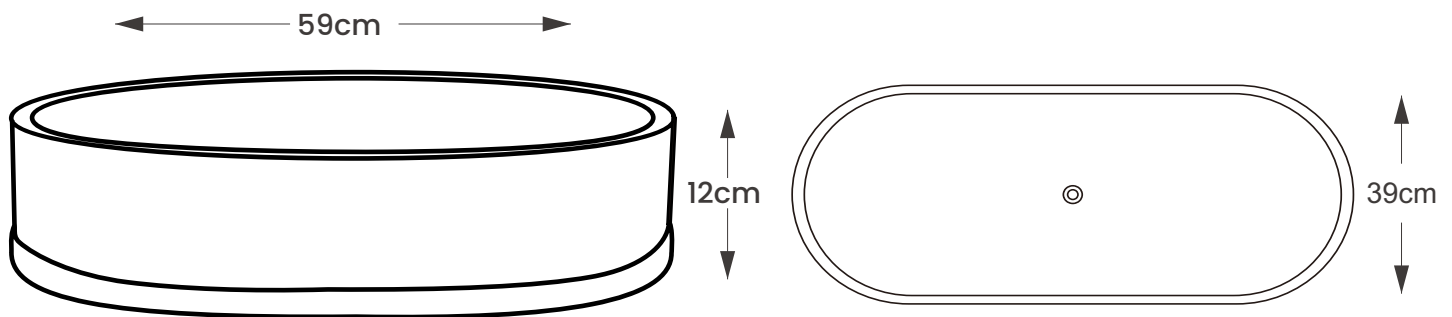
OUR PRODUCTS
BASINS





Material : Composite Mineral Stone | **Size :** 59cm x 39cm x 12cm | **Weight :** 17kg

SPECIFICATION :



Available Colours :

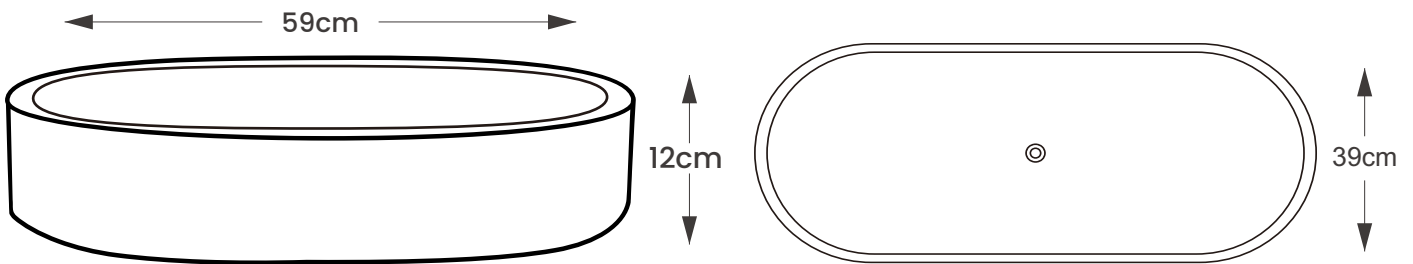


**Due to the handmade nature and the high content of natural stone used in our products, colour and dimensional tolerances apply.*



Material : Composite Mineral Stone | **Size** : 59cm x 39cm x 12cm | **Weight** : 18kg

SPECIFICATION :



Available Colours :

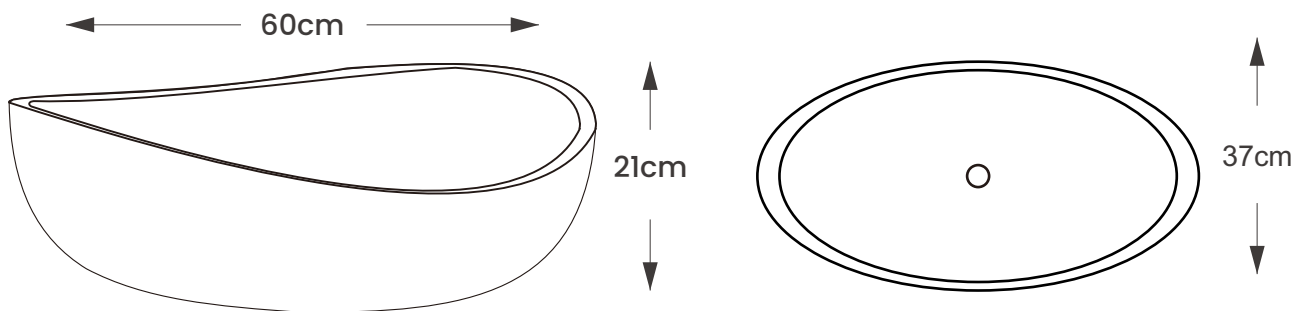


**Due to the handmade nature and the high content of natural stone used in our products, colour and dimensional tolerances apply.*



Material : Composite Mineral Stone | **Size :** 60cm x 37cm x 21cm | **Weight :** 17kg

SPECIFICATION :



Available Colours :

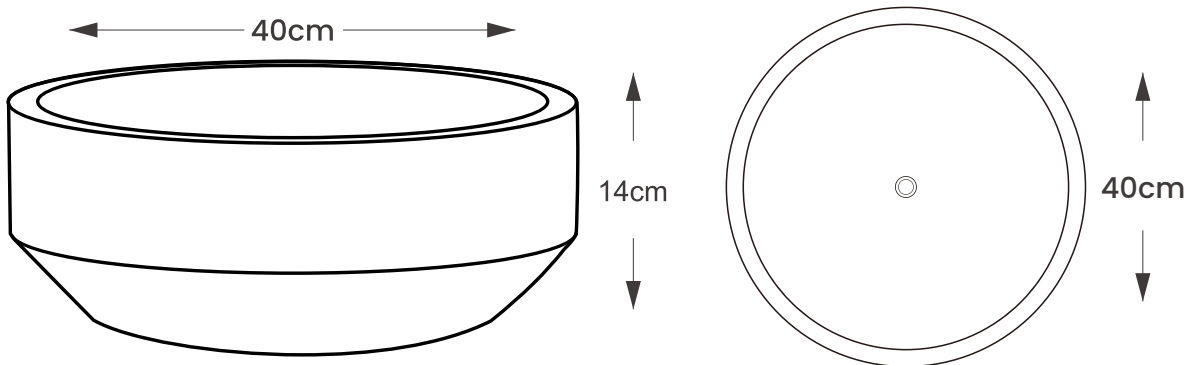


**Due to the handmade nature and the high content of natural stone used in our products, colour and dimensional tolerances apply.*



Material : Composite Mineral Stone | **Size :** 40cm x 40cm x 14cm | **Weight :** 10kg

SPECIFICATION :



Available Colours :

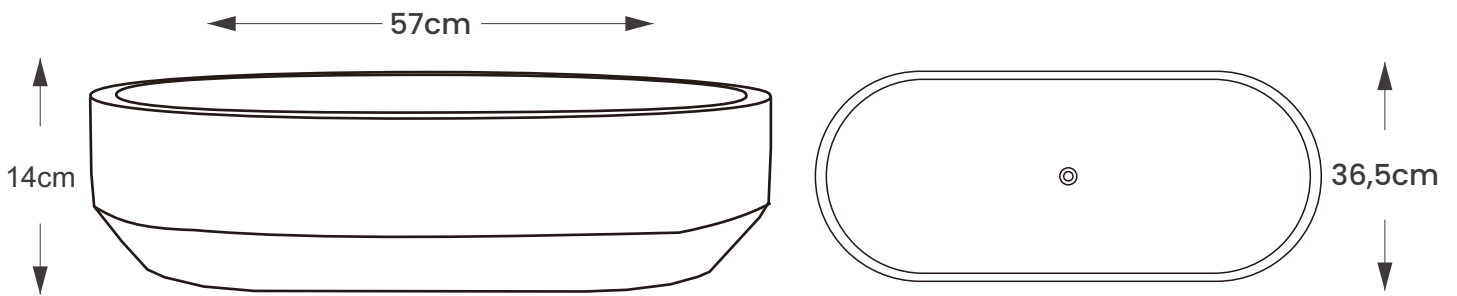


**Due to the handmade nature and the high content of natural stone used in our products, colour and dimensional tolerances apply.*



Material : Composite Mineral Stone | **Size :** 57cm x 36,5cm x 14cm | **Weight :** 15kg

SPECIFICATION :



Available Colours :

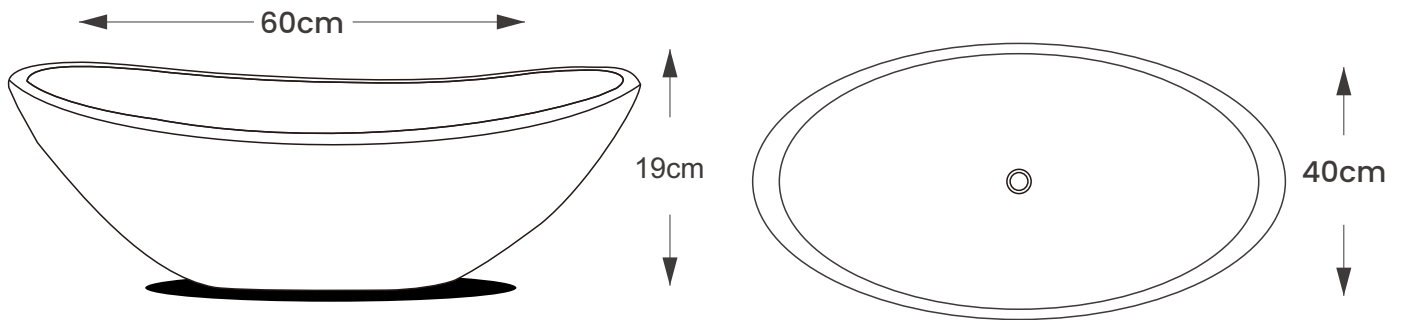


**Due to the handmade nature and the high content of natural stone used in our products, colour and dimensional tolerances apply.*



Material : Composite Mineral Stone | **Size :** 60cm x 40cm x 19cm | **Weight :** 14kg

SPECIFICATION :



Available Colours :

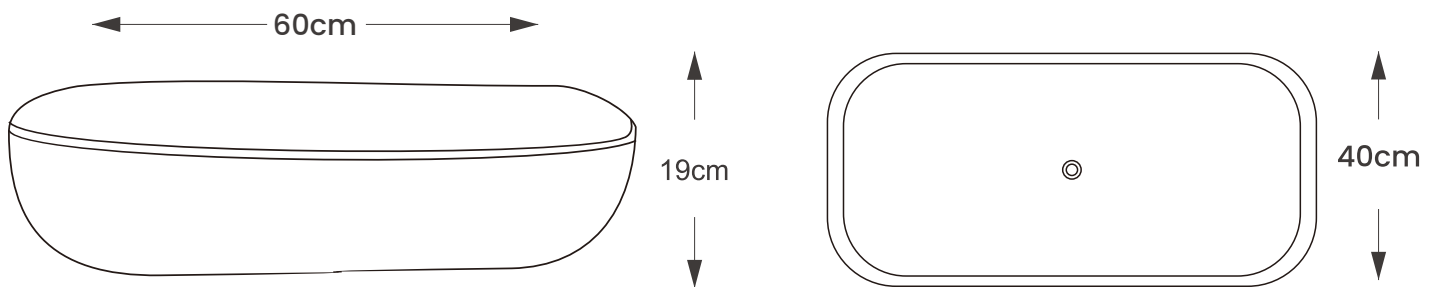


**Due to the handmade nature and the high content of natural stone used in our products, colour and dimensional tolerances apply.*



Material : Composite Mineral Stone | **Size :** 60cm x 40cm x 19cm | **Weight :** 14kg

SPECIFICATION :



Available Colours :

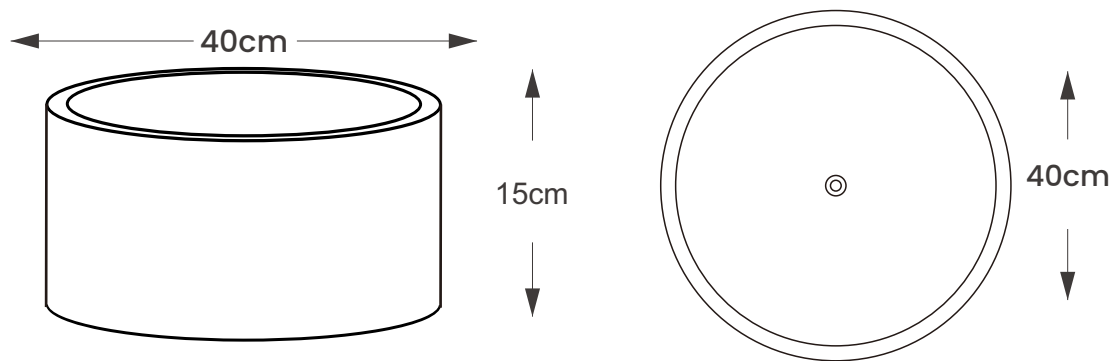


**Due to the handmade nature and the high content of natural stone used in our products, colour and dimensional tolerances apply.*



Material : Composite Mineral Stone | **Size :** 40cm x 40cm x 15cm | **Weight :** 8kg

SPECIFICATION :



Available Colours :

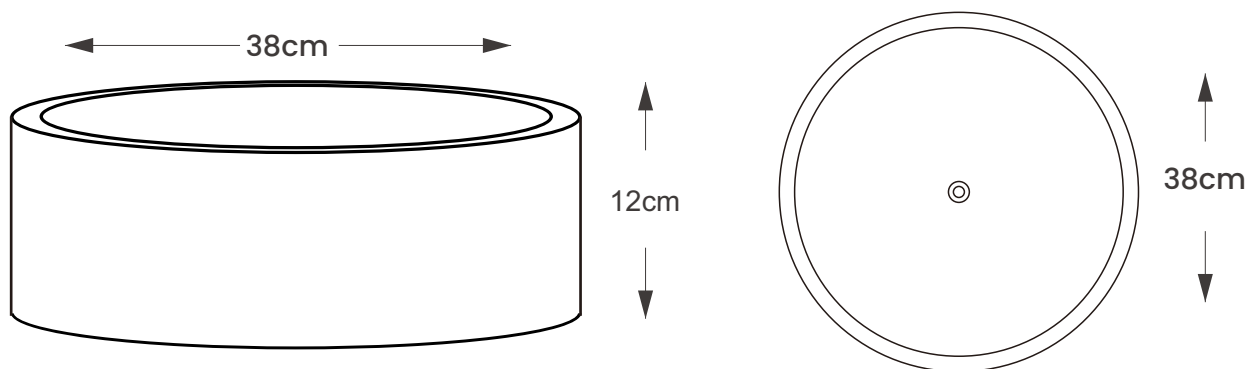


**Due to the handmade nature and the high content of natural stone used in our products, colour and dimensional tolerances apply.*



Material : Composite Mineral Stone | **Size :** 38cm x 38cm x 12cm | **Weight :** 10kg

SPECIFICATION :



Available Colours :

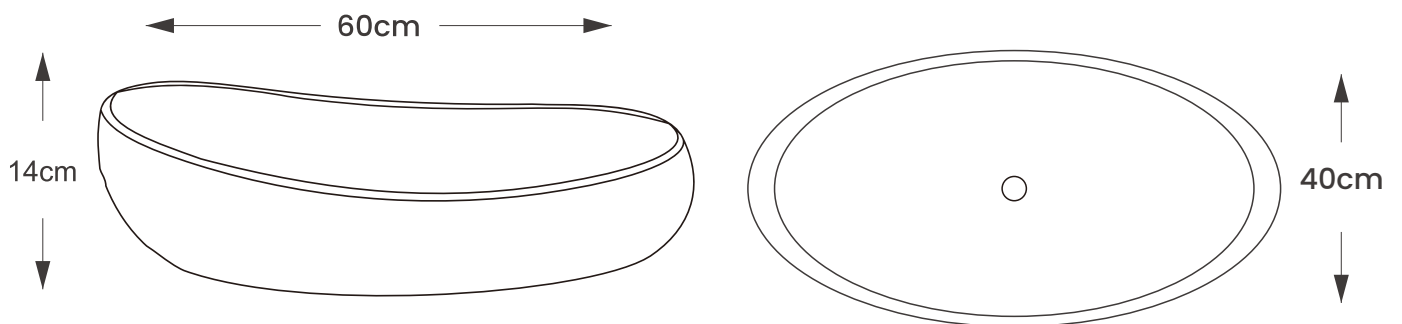


**Due to the handmade nature and the high content of natural stone used in our products, colour and dimensional tolerances apply.*



Material : Composite Mineral Stone | **Size :** 60cm x 40cm x 14cm | **Weight :** 18kg

SPECIFICATION :



Available Colours :

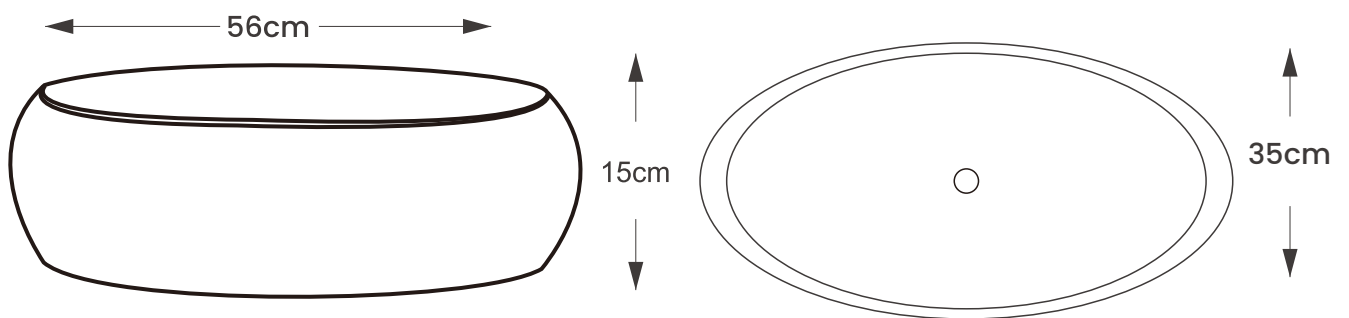


**Due to the handmade nature and the high content of natural stone used in our products, colour and dimensional tolerances apply.*



Material : Composite Mineral Stone | **Size :** 56cm x 35cm x 15cm | **Weight :** 8kg

SPECIFICATION :



Available Colours :



**Due to the handmade nature and the high content of natural stone used in our products, colour and dimensional tolerances apply.*

OUR PRODUCT

FREE STANDING BASINS



MILANO

Material : Composite Mineral Stone | **Size** : 59cm x 38cm x 90cm | **Weight** : 25kg



Available Colours :



**WHITE
ONYX**

**WHITE
NATURAL**

**BLACK
ONYX**

**BLACK
NATURAL**

**LIGHT
GREY**

GREY

**DARK
GREY**

**Due to the handmade nature and the high content of natural stone used in our products, colour and dimensional tolerances apply.*

VICTORIA

Material : Composite Mineral Stone | **Size** : 60cm x 37cm x 90cm | **Weight** : 28kg



Available Colours :



**WHITE
ONYX**



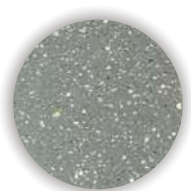
**WHITE
NATURAL**



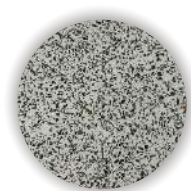
**BLACK
ONYX**



**BLACK
NATURAL**



**LIGHT
GREY**



GREY



**DARK
GREY**

**Due to the handmade nature and the high content of natural stone used in our products, colour and dimensional tolerances apply.*

CASABLANCA

Material : Composite Mineral Stone | **Size** : 40cm x 40cm x 90cm | **Weight** : 25kg



Available Colours :



**Due to the handmade nature and the high content of natural stone used in our products, colour and dimensional tolerances apply.*

OUR PRODUCTS

ACCESSORIES BATHROOM



STOOL JAPAN

Material : Composite Mineral Stone

Size : 36cm x 36cm x 45cm



STOOL GEORGIA

Material : Composite Mineral Stone

Size : 40cm x 40cm x 40cm



STOOL MONTANA

Material : Composite Mineral Stone

Size : 35cm x 35cm x 51cm



LUXURY ARTISAN STONE BATHWARE

OUR PRODUCTS



CONTACT US:



+31-6300-744-66



@mandika.nl



info@mandika.nl



Westerkerkweg **58B**
1606BE Venhuizen

